

CASCADEMIC Solutions Pvt. Ltd.

In the era of the smart and the convergence of technologies, we at CASCADEMIC extended and evolved our decades of embedded expertise from the SCADA to the M2M & Growing IoT space.

CASCADEMIC is a Fabless ODM Solution Provider in M2M and IoT. Specializing in Wireless Remote Monitoring, Sensors, and Controls & Industrial Automation.

In the process of continuous evolution and upgradation of technology, the process and processor SoC's are evolving and becoming more and more integrated. In addition, the complexities around RF, Ultra low power, Wireless protocols, and Embedded Java & Real time firmware applications built-on many such industrial embedded devices with long term reliability and availability requirements are increasing.

By addressing the above needs from the Concept to Manufacturing Vertical Integration, we act as an ODM partner for our Customer's Intelligent System Solution needs of:

- Wireless Smart Flow Meter
- OEM Thermal Printer Solution
- Wi-Fi RFID Access Control Solution
- Wireless Sensor Networks
- Smart Automation & Control
- GPS NAVI TRACK

ADDRESS

CASCADEMIC Solutions Pvt. Ltd.
1525/58, 2nd Floor, 28th Main,
South End 'B' Cross, 9th Block,
Jayanagar, Bangalore-560069
INDIA
Phone: 080 2658 3333

www.cascademic.com

Email: info@cascademic.com



Advance Tower Monitoring Solution

LoRaWAN Support

Fuel theft detection

Firmware update over the air(FOTA)

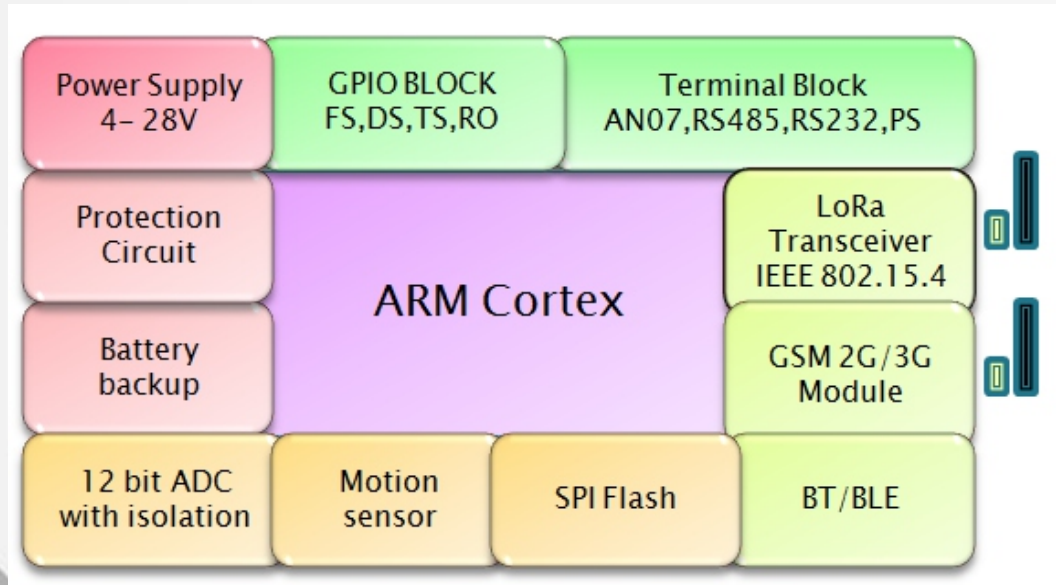
Real time tamper detection



Product Description:

Advanced Tower Monitoring Solution is designed to remotely monitor cell tower systems. With highly integrated software and stable hardware, all data can be accessed from a remote location which allows you to have constant control over the cell towers deployed in the respective networks. Real Time notifications and alerts are provided to monitor energy consumption, hardware health and integrated security systems

Block Diagram:



Features:

Ultra Low power Controller:	<ul style="list-style-type: none">• Freescale Kinetis ARM Cortex-M4 Core.• Low power focused serial communication interfaces.
Input Output Pins	<ul style="list-style-type: none">• 10 GPIOs for Sensor Input• Fuel Detector Sensor• Phase and DG Detection• 3 Axis Motion Sensor
Input Interfaces	<ul style="list-style-type: none">• RS485(MODBUS /BACNET)• Rs232• CAN
Wiress Transmission Protocols Supported:	<ul style="list-style-type: none">• 2G / 3G Support• LoRaWAN (IEEE 802.15.4)• Bluetooth
Memory	<ul style="list-style-type: none">• SPI Flash - Extendable Upto 64MB
Power Supply	<ul style="list-style-type: none">• 4 - 28V DC Input Range
Software Features	<ul style="list-style-type: none">• FOTA – Over the Air Firmware update• Modular Software Architecture>• Supports HTTP,HTTPS,FTP,FTPS,TCP/IP
Cloud Support	<ul style="list-style-type: none">• BM Bluemix: Simple user interface for qiuck Time to Market

Application:

- Telecom Tower and Remote Infrastructures
- Industrial Plants, Educational Institutions, IT Parks, Malls
- Solar Power Monitoring
- Data Center Management